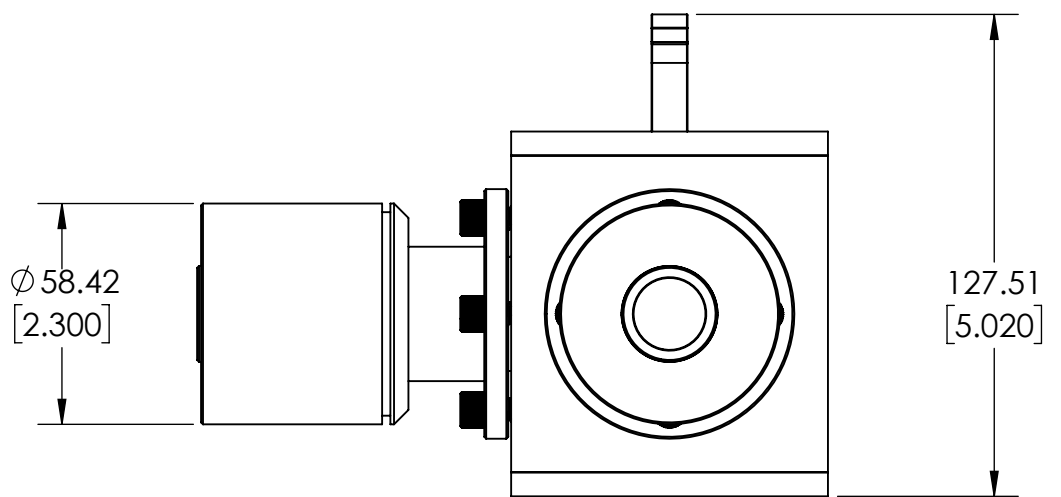
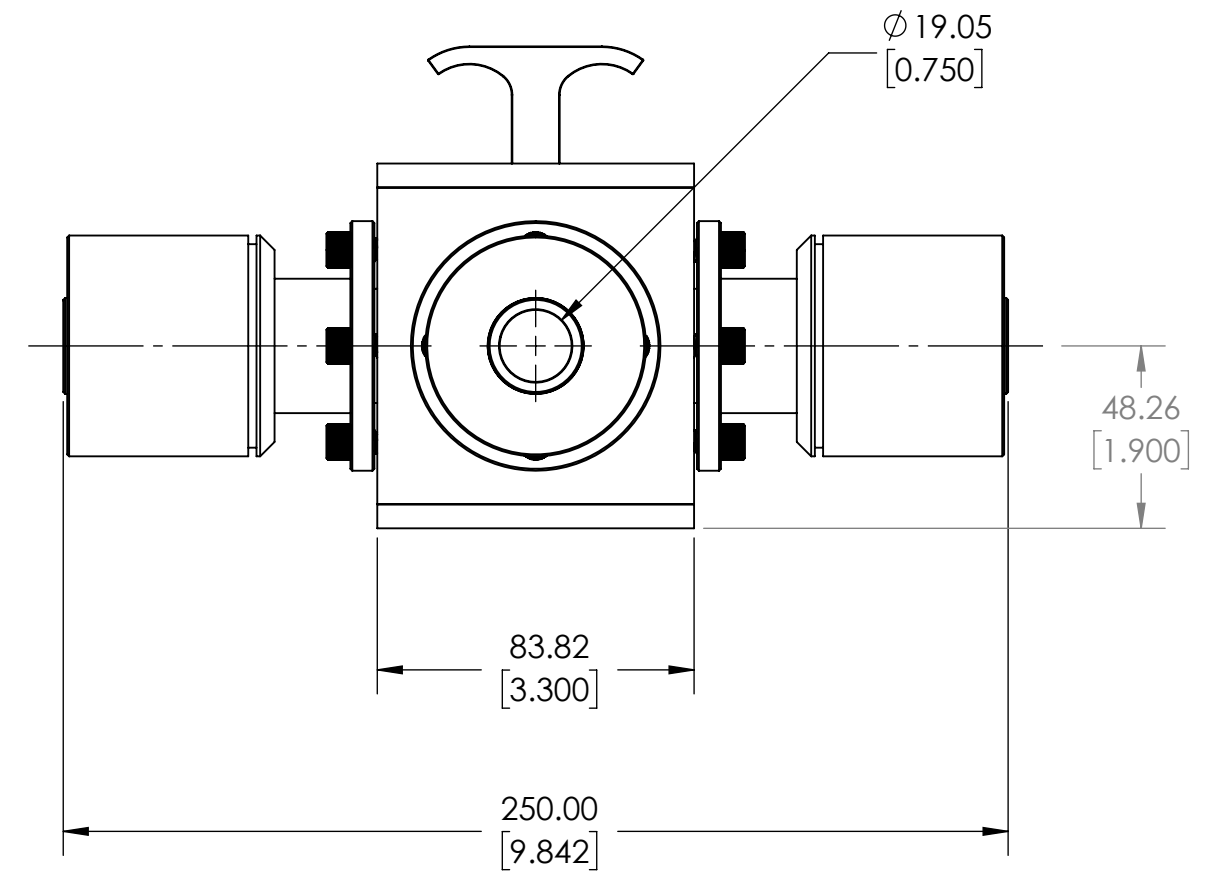
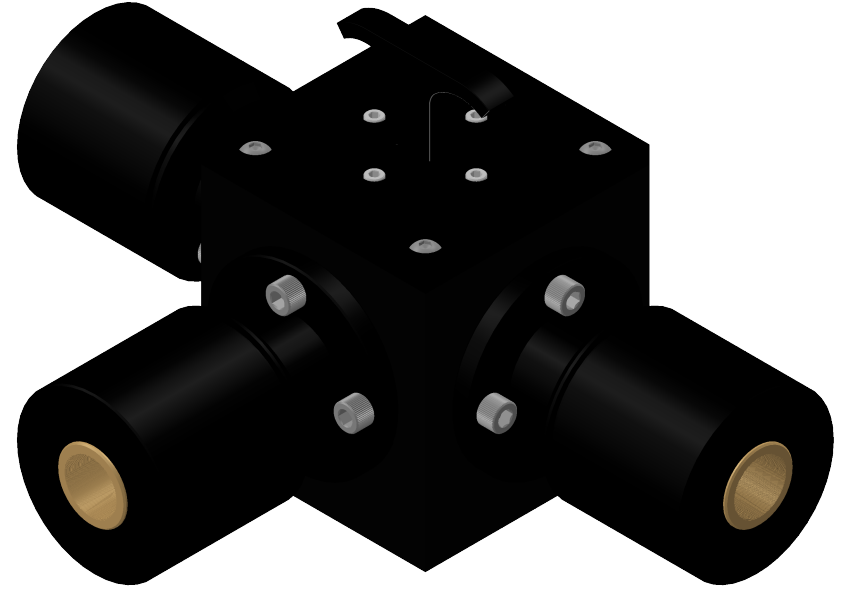
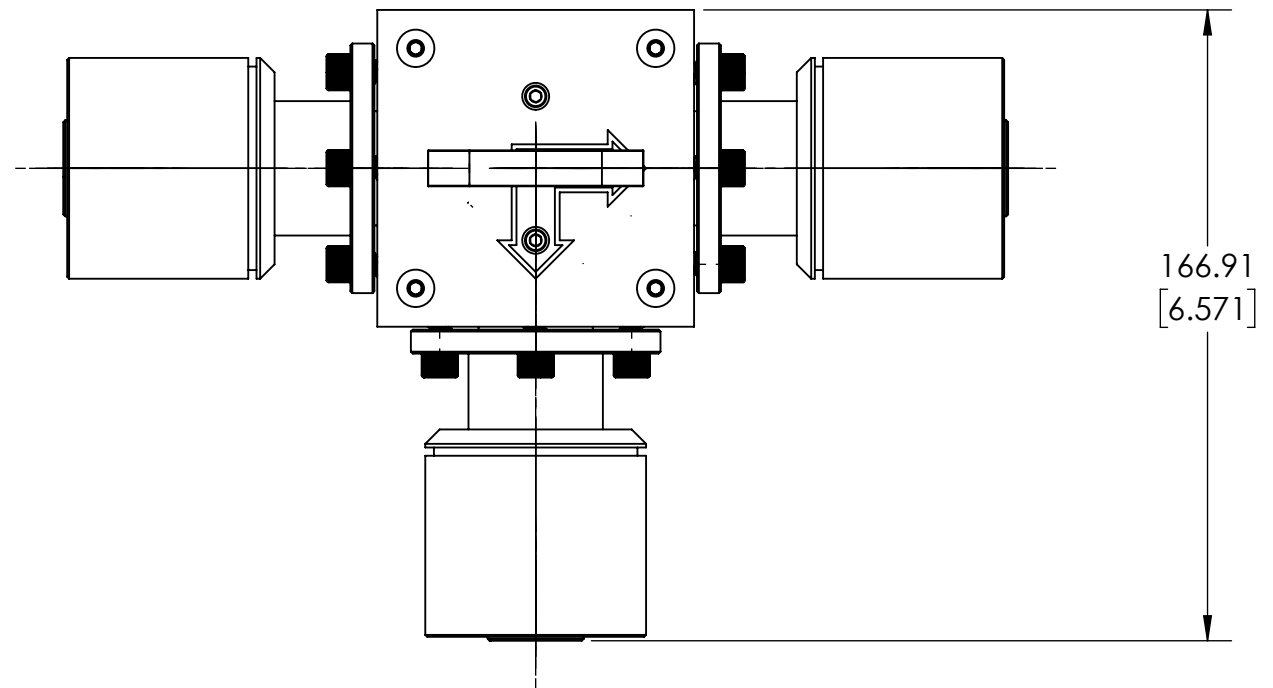


4

3

2

1




4

3

2

1

UNLESS OTHERWISE SPECIFIED: DIMENSIONS ARE IN MM TOLERANCES: FRACTIONAL $\pm 1/64$ ANGULAR: MACH ± 1 BEND ± 3 ANGULAR ONE DECIMAL $\pm .1$ TWO PLACE DECIMAL $\pm .02$ THREE PLACE DECIMAL $\pm .005$		TITLE: 60-19-395-90 CWG SWITCH	
INTERPRET GEOM. TOLERANCING PER: ASME Y14.5 - 2018		<p>PROPRIETARY AND CONFIDENTIAL THE INFORMATION CONTAINED IN THIS DRAWING IS THE SOLE PROPERTY OF BRIDGE12 TECHNOLOGIES, INC. ANY REPRODUCTION IN PART OR AS A WHOLE WITHOUT THE WRITTEN PERMISSION OF BRIDGE12 IS PROHIBITED.</p> 	
MATERIAL	NAME	DATE	SIZE DWG. NO.
FINISH	MODEL	DRG	2022-05-10
DO NOT SCALE DRAWING	DRAWN	DRG	2024-06-26
	CHECKED		
	APPROVED		
			REV
			A.1
		SCALE: 1:5	WEIGHT: 3077.31 SHEET 1 OF 1

B

B

A

A